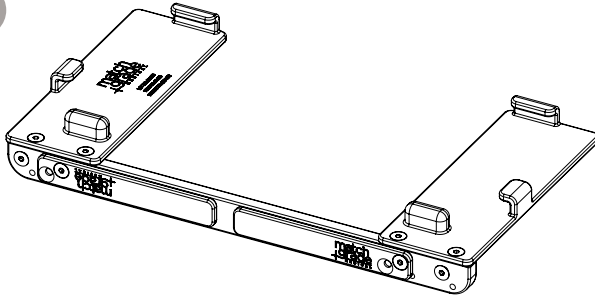


INSTRUCTIONS FOR INITIAL SETUP

(HEX KEY & SPARE SCREW INCLUDED)

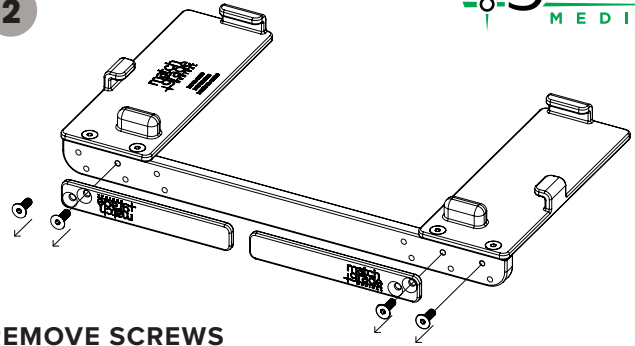


1



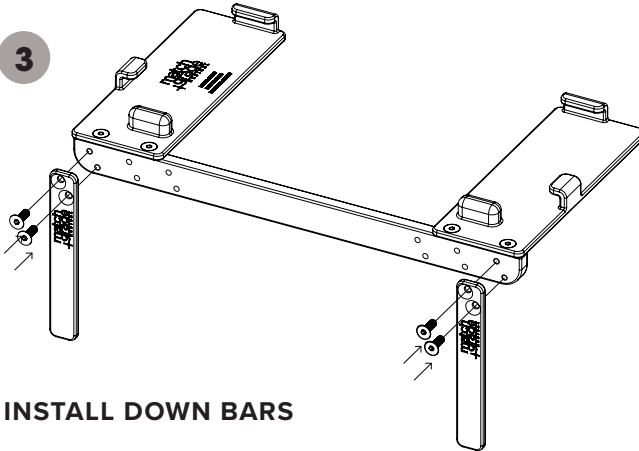
AS SHIPPED

2



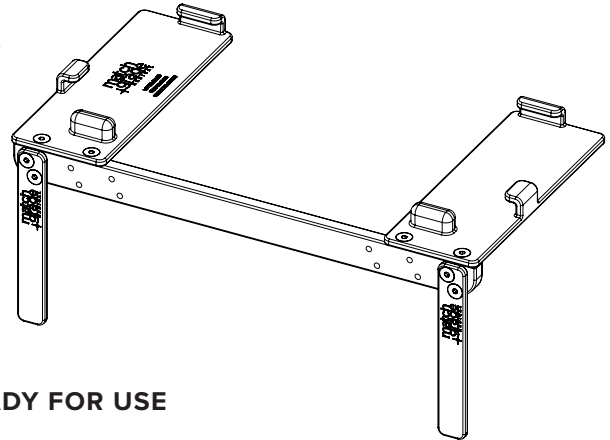
REMOVE SCREWS

3



INSTALL DOWN BARS

4



READY FOR USE