



BROADHEAD-MINI



Instructions For Use **Broadhead Mini Pegboard System**

2. WHAT'S IN THE BOX?
3. STERILIZATION INSTRUCTIONS
4. CLEANING AND DECONTAMINATION INSTRUCTIONS
5. INSTRUCTIONS FOR USE
6. ADDITIONAL INFORMATION
7. TERMS AND CONDITIONS
8. ADDITIONAL PRODUCTS



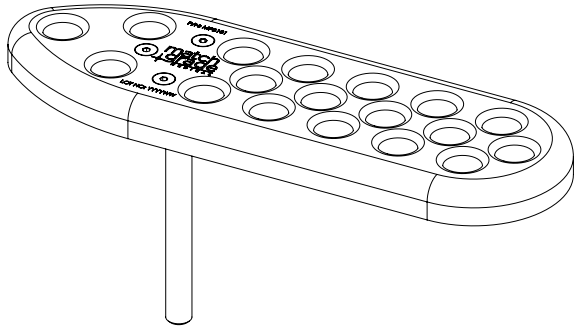
Broadhead Mini Pegboard System

Part No. #MPB1000



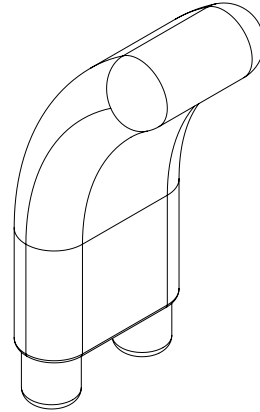
WHAT'S IN THE BOX? #2

1



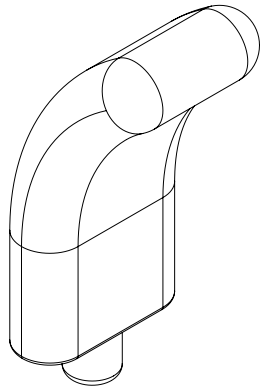
1 x Mini Board

2



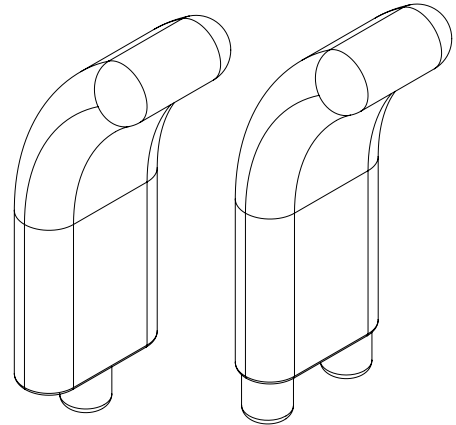
1 x Curved Fixed Peg 7"

3



1 x Curved Pivot Peg 7"

Broadhead Mini Bariatric Pegs



*purchased separately

IMPORTANT: PLEASE CLEAN AND DISINFECT ALL COMPONENTS PRIOR TO USING

STERILIZATION INSTRUCTIONS #3

Cleaning and Sterilization Recommendations

Cleaning solutions must be compatible with:
Stainless Steel, Acetal Copolymer

No disassembly required.

Recommended washer sterilizer instructions:

- ▶ Rinse in cold water to remove blood and saline solutions.
- ▶ Soak the components in an enzyme solution per enzyme manufacturer's directions.
- ▶ Put through washer/sterilizer cycle.

Recommended hand cleaning instructions:

- ▶ Rinse in cold water to remove blood and saline solutions.
- ▶ Soak the components in an enzyme solution per enzyme manufacturer's directions.
- ▶ Rinse the components in warm water.
- ▶ Soak or wipe the product down with a hospital approved germicide.
- ▶ Rinse the components in warm water.
- ▶ Wash the components with an instrument detergent with a pH between 7 and 9.
- ▶ •Rinse the components in warm water.
- ▶ Dry all surfaces and wrap. (Optional sterilization tray or basket may be used.)
- ▶ Steam Autoclaving: Components may be double wrapped.

Wrapped Components	Exposure Time 132°C (270°F)	Exposure Time 135°C (275°F)	Dry Time
Pre-Vacuum	4 Minutes		20 to 30 Minutes
Gravity Displacement	20 Minutes	15 Minutes	20 to 30 Minutes

All components must be allowed to cool to room temperature prior to use. Do not allow any component at an elevated temperature to contact the patient.

Cleaning recommendations for use outside the sterile field:

- ▶ Visually inspect device for damage during cleaning.
- ▶ Rinse device to remove all prepping agents and body fluids.
- ▶ Do not use abrasive cleaning solutions, scouring pads, or bleach.
- ▶ Wipe thoroughly with hospital approved antiseptic cleaning solution and water.
- ▶ Rinse with clean water to remove any remaining cleaning solution.

* It is recommended that all cleaning and decontamination follow the guidelines set forth by AORN, HIMA, and AAMI.

INSTRUCTIONS FOR USE

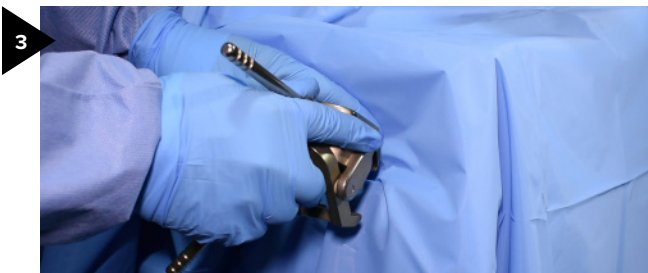
#5



- ▶ Position the patient with operative leg at end of the table and drape.



- ▶ Tuck extra drape under the operative leg to allow for movement after positioner is installed.



- ▶ Position sterile clamp as close to the end of the rail as possible.



- ▶ Position sterile clamp as close to the end of the rail as possible.



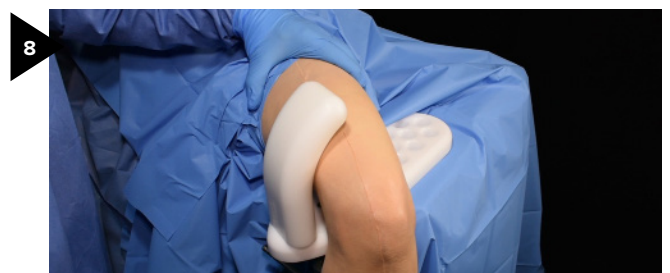
- ▶ Insert the Broadhead Mini into the clamp and swing under the leg.



- ▶ Allow board to rest on the top surface of the table and tighten clamp.



- ▶ Lower the leg onto the pegboard. Support thigh to avoid pinching the leg between the pegboard and bolster.



- ▶ Bolsters can be used singly or in pairs in any combination or position allowing the leg to extend off the end or side of the table.

Broadhead Mini Pegboard System

Part No. #MPB1000



ADDITIONAL INFORMATION

#6

Suggested Rail Clamps (1 Needed)

- ▶ Allen A-92002
- ▶ Steris BF158
- ▶ Mediflex 69099
- ▶ Teleflex 163100

TERMS & CONDITIONS OF USE

#7

ACCEPTANCE OF TERMS AND CONDITIONS OF USE

By choosing to use the Broadhead Mini Peg Board System, the user agrees to be bound by these Terms and Conditions of Use as supplied with the Broadhead Mini Peg Board when delivered. A copy of the Instructions For Use along with the Terms and Conditions of Use is available from Match Grade Medical.

NOT REQUIRED FOR USE

The Broadhead Mini Peg Board System is not necessary for the successful completion of surgery. The choice to use the Broadhead Mini Peg Board is at the full discretion of the surgeon to aid in the convenience of repeatable and stable positioning of patient's lower extremities. Match Grade Medical makes no claims that the use of the Broadhead Mini Peg Board will in any way improve the outcome of the surgery, nor will the decision to discontinue use of the Broadhead Mini Peg Board System detract from the outcome of the surgery.

LIMITATION OF WARRANTY

THERE ARE NO WARRANTIES, EXPRESS OR IMPLIED, THAT EXTEND BEYOND THE DESCRIPTION OF THE PRODUCTS, INCLUDING ANY IMPLIED WARRANTY OF MERCHANTABILITY OR WARRANTY OF FITNESS FOR A PARTICULAR PURPOSE.

However, Seller warrants that the Products delivered shall conform to the grade and quality specified in applicable documents published by Match Grade Medical.

LIMITATION OF LIABILITY

SELLER'S LIABILITY SHALL BE LIMITED TO THE COST OF REPLACING DULY REJECTED PRODUCTS TO THE POINT OF DELIVERY AS SPECIFIED IN THE ORDER ACKNOWLEDGMENT WITHIN A REASONABLE PERIOD OF TIME FOLLOWING THE ISSUE OF RETURN MATERIAL AUTHORIZATION BY MATCH GRADE MEDICAL. UNDER NO CIRCUMSTANCES SHALL SELLER BE LIABLE TO BUYER FOR CONSEQUENTIAL OR INCIDENTAL DAMAGES, OF ANY NATURE WHATSOEVER, ARISING FROM NONCONFORMITY OF PRODUCTS OR DELAY IN SHIPMENT, OR ANY OTHER BREACH BY SELLER.

EXCLUSIVE REMEDY

Buyer's sole and exclusive remedy for breach of any warranty hereunder is the repair or replacement of any defective goods or services by Match Grade Medical at the discretion of Match Grade Medical. Under no circumstances shall the Match Grade Medical be liable for any value in excess of the purchase price of the goods or service.

GENERAL

The rights and obligations of the parties under the Terms and Conditions of Use shall be governed by the laws of the State of Wisconsin, U.S.A. in effect as of the date of the initial delivery, including without limitation the provisions of the Wisconsin Uniform Commercial Code, but without regard to conflicts of law principles. If any provision of the Terms and Conditions of Use is determined by any court or arbitrator to be unenforceable, the provision shall be deleted, and the balance of the Terms and Conditions of Use shall be binding upon the parties.

CONTACT INFORMATION

Match Grade Medical
2415 Augustine Road, Neenah WI, 54956
(920) 486-1955
info@matchgrademedical.com

ADDITIONAL PRODUCTS #8

Solorail Deluxe Knee Positioning System

The Solorail Support System is used for total knee arthroplasty. It is the only full range surgical knee positioner that respects the integrity of the sterile field thanks to our patented Fieldloc Technology. The smooth travel rail system provides stable and solid positioning with adjust-ability to optimize knee position for greater access and precision.



Solorail Support System #SR2800

Broadhead Pegboard System

This system is designed to eliminate pressure points, offer radiolucency without sacrificing strength and is machine washable. The Pegs are double wide with nearly 4 inches of surface area. Both are designed to better protect the patient and reduce the possibility of pressure injuries. Board available in Standard and Bariatric. Pegs available in 6, 9 and 12 inch options and 4 inch extensions.



Broadhead Pegboard System | #HP1000

Ladderloc Knee Positioning System

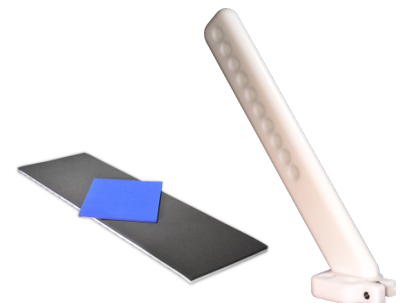
The Ladderloc Support System is a surgical knee positioner that mounts securely on top of the surgical drapes and locks into place for procedure thanks to our patented Fieldloc Technology. This allows surgeons to have complete control of the flexion and extension of their patient's leg while providing an easy to use, rock solid base on which to operate.



Solorail Support System #LL900

Accessories

We offer a wide range of accessories that provide versatility in the OR and enable MIS applications. These applications may help to reduce post-op complications, minimize recovery time, shorten hospital stays, and improve overall cost-effectiveness.



Call for more information on (920) 486-1955

www.matchgrademed.com