



## Instructions For Use **Solorail System**

- 2. WHAT'S IN THE BOX?
- 3. STERILIZATION INSTRUCTIONS
- 4. INITIAL ASSEMBLY INSTRUCTIONS
- 6. INSTRUCTIONS FOR USE
- 10. TERMS & CONDITIONS
- 11. ADDITIONAL INFORMATION

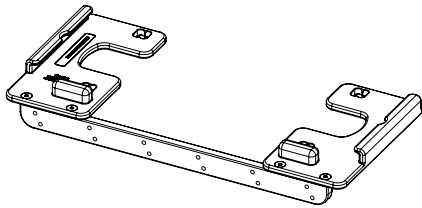
# Solorail System

Part No. #SR4000 / #SR2800 / #SR2803



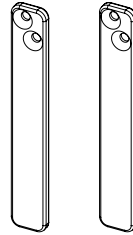
## WHAT'S IN THE BOX? #2

1



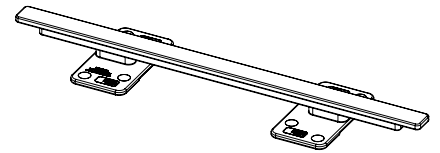
1 x Fieldloc Base

2



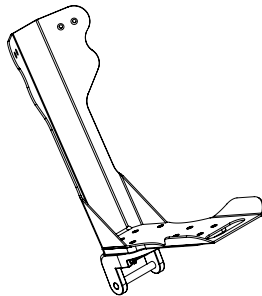
2 x Fieldloc Downbars  
4 x Screws  
1 x Hex Key

3



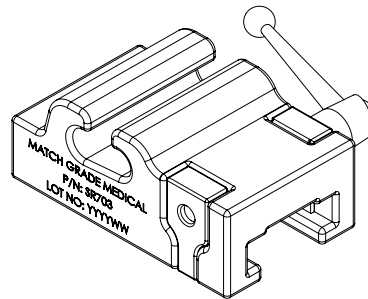
1 x Solorail Sterile Top Rail

4



1 x Pivot Foot Holder  
1 x Locking Tab  
1 x Pivot Mechanism

5

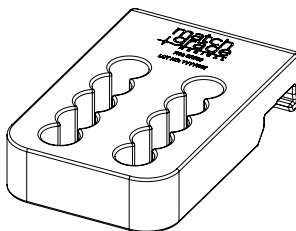


1 x Adjustment Block

Adjustment Block Includes:

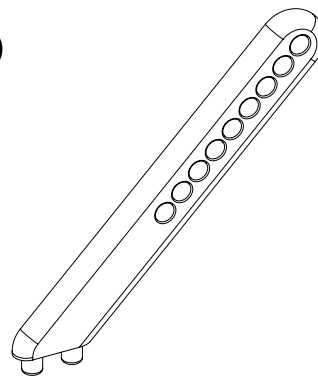
- 1 x Block Base
- 1 x Pass Through Friction Tab
- 1 x Threaded Friction Tab
- 1 x Adjustment Handle

6



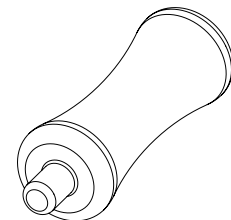
1 x Tower Holder Base

7



1 x Thigh Bolster Tower

8



1 x Thigh Counterforce Support

**IMPORTANT: PLEASE CLEAN AND DISINFECT ALL COMPONENTS PRIOR TO USING**

## STERILIZATION INSTRUCTIONS # 3

### MATERIALS COMPATIBILITY

- ▶ Cleaning solutions must be compatible with; aluminum, stainless steel, and acetal.
- ▶ Do not place in milk bath or lubricant.

### POINT OF USE – O.R. WIPEDOWN

- ▶ Remove excess debris and gross soil.
- ▶ The Fieldloc Base can be cleaned with antiseptic and water. All prepping agents and body fluids should be removed before reusing. Note: Lower base assembly is positioned outside the sterile field and does not require sterilization.

### STERILE PROCESSING

**Disassemble all user movable components** (no tools required):

- ▶ Disassemble brake pads from adjustment block.
- ▶ Disassemble pivot foot holder mechanism if equipt.  
 Note: Solorail adjustment frame and standard foot holder are hermetically sealed and cannot be disassembled.

#### Recommended washer disinfecter instructions:

Note: Do not place in milk bath or lubricant.

- ▶ Rinse in water to remove blood and saline solutions.
- ▶ Soak the components in an enzyme solution per enzyme manufacturer’s directions.
- ▶ Put through washer/disinfecter.
- ▶ Reassemble adjustment block and foot holder pivot mechanism.

#### Recommended hand cleaning instructions:

Note: Do not place in milk bath or lubricant.

- ▶ Rinse in water to remove blood and saline solutions.
- ▶ Soak the components in an enzyme solution per enzyme manufacturer’s directions.
- ▶ Wash and rinse the components.
- ▶ Inspect for remaining debris.
- ▶ Soak or wipe in low level disinfecter per hospital protocol.
- ▶ Rinse the components in warm water.
- ▶ Wash the components with an instrument detergent with a pH between 7 and 9.
- ▶ Rinse the components in warm water.
- ▶ Reassemble adjustment block and foot holder pivot mechanism.

### STEAM AUTOCLAVE

- ▶ Dry all surfaces and wrap. (Optional sterilization tray or basket may be used.)
- ▶ Components may be double or two ply wrapped together or separately.

Cycle	Exposure Time 132°C (270°F)	Exposure Time 135°C (275°F)	Dry Time
Pre-Vacuum	4 Minutes		Follow wrap or container IFU
Gravity Displacement	20 Minutes	15 Minutes	Follow wrap or container IFU

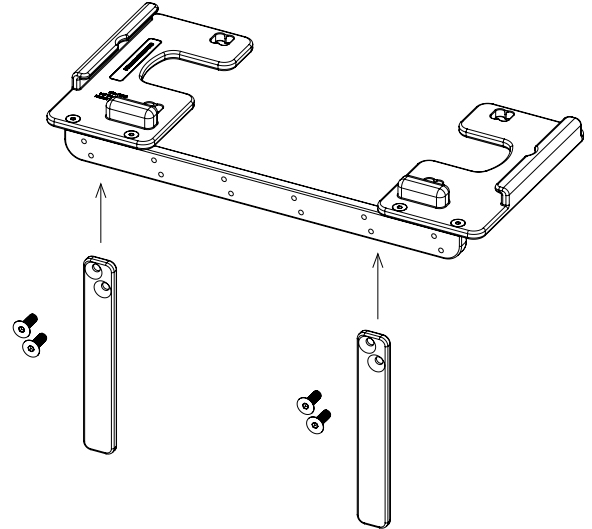
**Positioner must be allowed to cool to room temperature prior to use.  
 Do not allow any component at an elevated temperature to contact the patient.**

## INITIAL ASSEMBLY INSTRUCTIONS

# 4

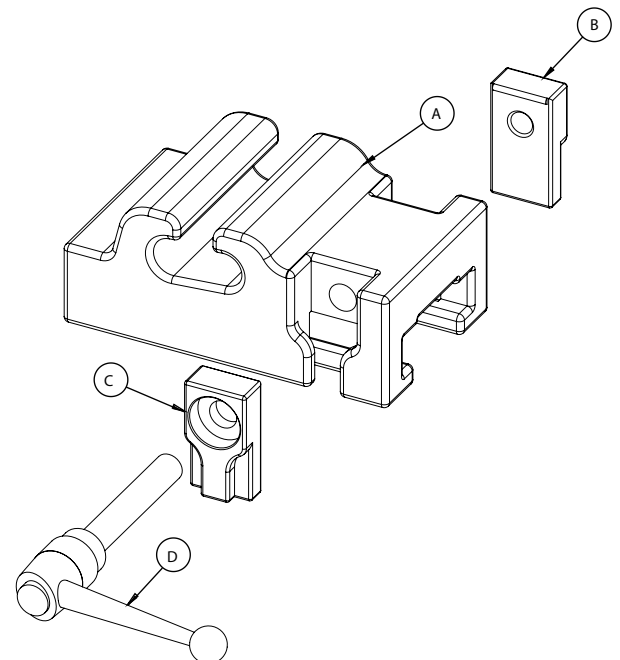
### Fieldloc Base Assembly Instructions

1. Prior to first use, assemble base.
2. Attach (2) down bars to base assembly using (4) screws provided.
3. Down bars should be positioned as far apart as possible (in end hole sets) but may be adjusted inward to match table rail.
4. Tighten down bar mounting screws firmly with hex key provided.



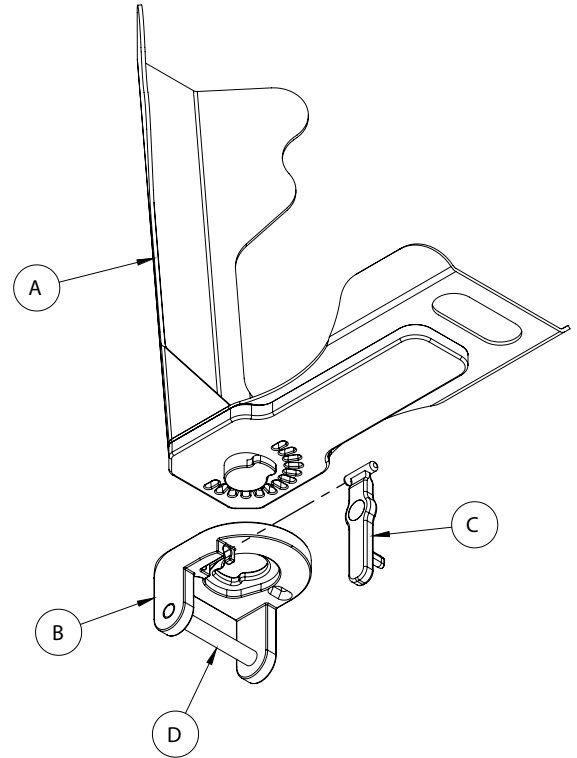
### Adjustment Block Assembly Instructions

1. Adjustment handle (D) may be placed on either side of adjustment block (F). Threaded shaft of handle will pass through first friction tab (C) and thread into friction tab on the opposite side (B).
2. Place blue friction tabs (B & C) into adjustment block.
3. Insert threaded adjustment handle (D) through friction tab containing recess (C) and screw into threaded friction tab on opposite side of block (B).



## Pivot Boot Assembly/Disassembly Instructions

1. To disassemble, with the foot holder (A) held upside down, lift the locking tab (C) to 90 degrees and remove.
2. Twist the pivot mechanism (B) so mounting rod (D) is towards the toe end and pull.
3. To assemble, align pivot mechanism (B) with the mounting rod (D) towards the toe and insert.
4. Turn the pivot mechanism (B) towards the heel.
5. Holding the locking tab (C) at 90 degrees insert and swing down.
6. To adjust rotation, lift the locking tab (C) slightly and turn pivot mechanism (B).

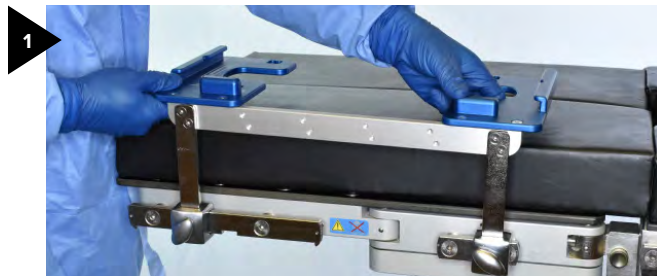


# Solorail System

Part No. #SR4000 / #SR2800 / #SR2803



## INSTRUCTIONS FOR USE # 6



- ▶ Position Fieldloc Base where necessary to avoid gaps in table rail.
- ▶ Clamp base on table rail using standard rail clamps.



- ▶ Align patient's leg with center of both support plates.



- ▶ With full leg extension position heel approximately 1 inch past the end of the distal support plate while keeping center alignment.



- ▶ Drape patient and table surface according to hospital protocol.
- ▶ Tuck drape under operative leg to allow slack for flexion adjustment.



- ▶ Tip distal end of Main Rail and ease into base plate notch, allowing loose drape to wrap around edge of plate.



- ▶ Lower proximal end of Main Rail and ease onto base plate allowing loose drape to wrap around edge of plate.



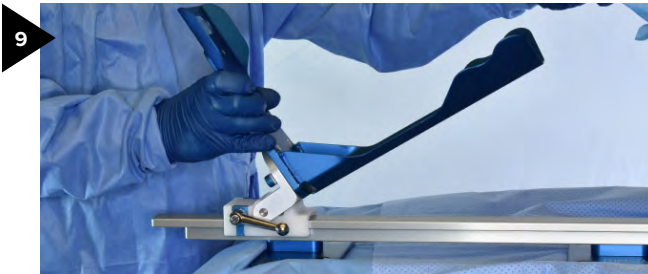
- ▶ Position adjustment block so that foot holder pivot pocket is towards patient.
- ▶ Slide adjustment block on rail from distal end.



- ▶ Use adjustment handle to lock adjustment block anywhere along rail.

## INSTRUCTIONS FOR USE

#7



9

- ▶ Snap base of foot holder into adjustment block.



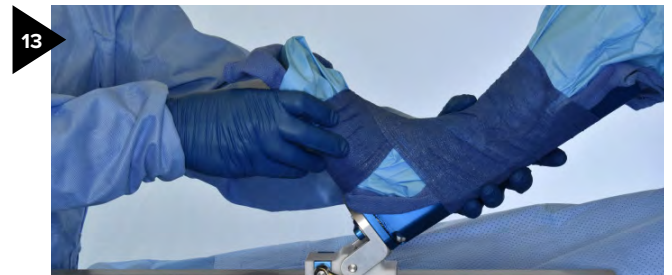
10

- ▶ Place foot holder pad between patient and foot holder. Ensure pad covers top edge of foot holder.



12

- ▶ Secure foot holder to patient using cohesive bandage. Place several wraps around foot before proceeding to ankle.



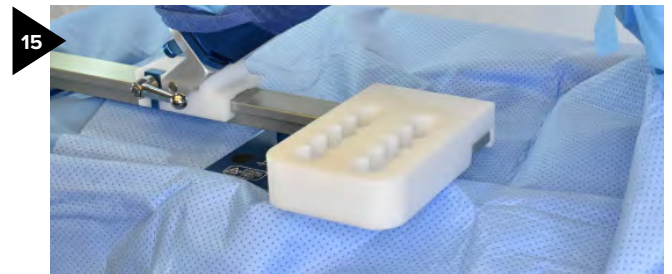
13

- ▶ When wrapping ankle, optimal location for wrap is at side recesses.



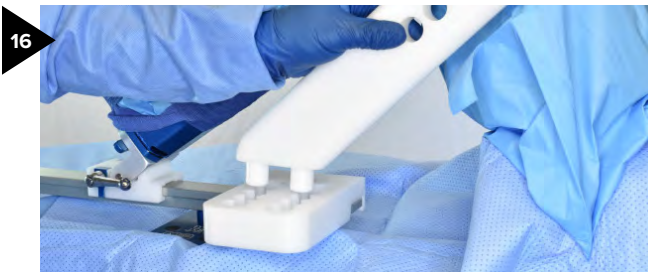
15

- ▶ Attach tower base by hooking over rail near the proximal end, with base extending out laterally.



15

- ▶ Press down firmly on lateral most end of base to lock onto rail. (remove by lifting on lateral end of base)



16

- ▶ Place bolster tower in base using the center set of holes. Tower may be moved medially or laterally at any time to position leg vertically as desired.



17

- ▶ To distract the knee for improved access to meniscus, release foot holder and place thigh support in bolster tower behind thigh. Position in tower hole appropriate to maintain desired flexion angle during distraction.

## INSTRUCTIONS FOR USE

# 8



- ▶ To adjust handle position, first tighten handle then pull out.



- ▶ Rotate to desired position and release.



# Solorail System

Part No. #SR4000 / #SR2800 / #SR2803



## ADDITIONAL INFORMATION

#9

### **Suggested Rail Clamps (2 Needed)**

- ▶ Steris BF133
- ▶ Allen O-RC2
- ▶ Schuremed #800-0228

## TERMS & CONDITIONS OF USE

#10

### ACCEPTANCE OF TERMS AND CONDITIONS OF USE

By choosing to use the Solorail Leg Positioning System, the user agrees to be bound by these Terms and Conditions of Use as supplied with the Solorail when delivered. A copy of the Instructions For Use along with the Terms and Conditions of Use is available from Match Grade Medical.

### NOT REQUIRED FOR USE

The Solorail Leg Positioning System is not necessary for the successful completion of surgery. The choice to use the Solorail is at the full discretion of the surgeon to aid in the convenience of repeatable and stable positioning of patient's lower extremities.

Match Grade Medical makes no claims that the use of the Solorail will in any way improve the outcome of the surgery, nor will the decision to discontinue use of the Solorail Leg Positioning System detract from the outcome of the surgery.

### LIMITATION OF WARRANTY

THERE ARE NO WARRANTIES, EXPRESSED OR IMPLIED, THAT EXTEND BEYOND THE DESCRIPTION OF THE PRODUCTS, INCLUDING ANY IMPLIED WARRANTY OF MERCHANTABILITY OR WARRANTY OF FITNESS FOR A PARTICULAR PURPOSE.

However, Seller warrants that the Products delivered shall conform to the grade and quality specified in applicable documents published by Match Grade Medical.

### LIMITATION OF LIABILITY

SELLER'S LIABILITY SHALL BE LIMITED TO THE COST OF REPLACING DULY REJECTED PRODUCTS TO THE POINT OF DELIVERY AS SPECIFIED IN THE ORDER ACKNOWLEDGMENT WITHIN A REASONABLE

PERIOD OF TIME FOLLOWING THE ISSUE OF RETURN MATERIAL AUTHORIZATION BY MATCH GRADE MEDICAL. UNDER NO CIRCUMSTANCES SHALL SELLER BE LIABLE TO BUYER FOR CONSEQUENTIAL OR INCIDENTAL DAMAGES, OF ANY NATURE WHATSOEVER, ARISING FROM NONCONFORMITY OF PRODUCTS OR DELAY IN SHIPMENT, OR ANY OTHER BREACH BY SELLER.

### EXCLUSIVE REMEDY

Buyer's sole and exclusive remedy for breach of any warranty hereunder is the repair or replacement of any defective goods or services by Match Grade Medical at the discretion of Match Grade Medical. Under no circumstances shall the Match Grade Medical be liable for any value in excess of the purchase price of the goods or service.

### GENERAL

The rights and obligations of the parties under the Terms and Conditions of Use shall be governed by the laws of the State of Wisconsin, U.S.A. in effect as of the date of the initial delivery, including without limitation the provisions of the Wisconsin Uniform Commercial Code, but without regard to conflicts of law principles. If any provision of the Terms and Conditions of Use is determined by any court or arbitrator to be unenforceable, the provision shall be deleted, and the balance of the Terms and Conditions of Use shall be binding upon the parties.

### CONTACT INFORMATION

Match Grade Medical  
2415 Augustine Road, Neenah WI, 54956  
(920) 486-1955  
info@matchgrademedical.com

# Solorail System

Part No. #SR4000 / #SR2800 / #SR2803



## ADDITIONAL PRODUCTS #11

### Broadhead Pegboard System

This system is designed to eliminate pressure points, offer radiolucency without sacrificing strength and is machine washable. The Pegs are double wide with nearly 4 inches of surface area. Both are designed to better protect the patient and reduce the possibility of pressure injuries. Board available in Standard and Bariatric. Pegs available in 6, 9 and 12 inch options and 4 inch extensions.



**Broadhead Pegboard System | #HP1000**

### Broadhead Mini Pegboard System

System can be mounted with standard rail clamps anywhere inside or outside the sterile field. The Mini can be utilized in an array of procedures and is compatible with all Broadhead Pegboard System Pegs and Accessories. It is an excellent solution for arthroscopic positioning and ACL repair. Pegs are available in Standard and Bariatric sizes.



**Mini Pegboard System | #MPB1000**

### Ladderloc Knee Positioning System

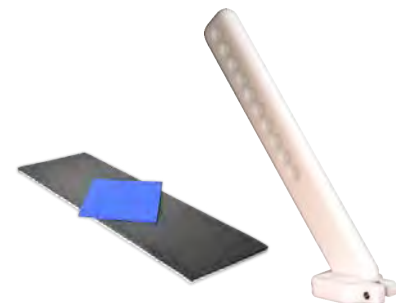
The Ladderloc Support System is a surgical knee positioner that mounts securely on top of the surgical drapes and locks into place for procedure thanks to our patented Fieldloc Technology. This allows surgeons to have complete control of the flexion and extension of their patient's leg while providing an easy to use, rock solid base on which to operate.



**Solorail Support System #LL900**

### Accessories

We offer a wide range of accessories that provide versatility in the OR and enable MIS applications. These applications may help to reduce post-op complications, minimize recovery time, shorten hospital stays, and improve overall cost-effectiveness.



**Call for more information on (920) 486-1955**

[www.matchgrademed.com](http://www.matchgrademed.com)